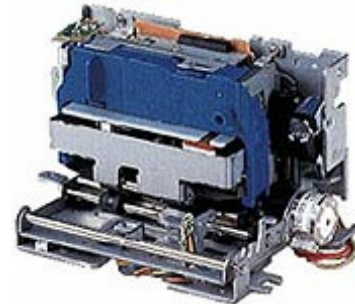


## MP292 Dot Matrix Printer Mechanism

### Features

- Highly reliable 9-pin print head.
- High-speed printing: approx. 3.1 lines/sec.
- Includes automatic positioning function
- Two Color



MP292

### MP292

The MP292 mechanism provides OEMs/ system integrators with the flexibility of designing their own printing systems.

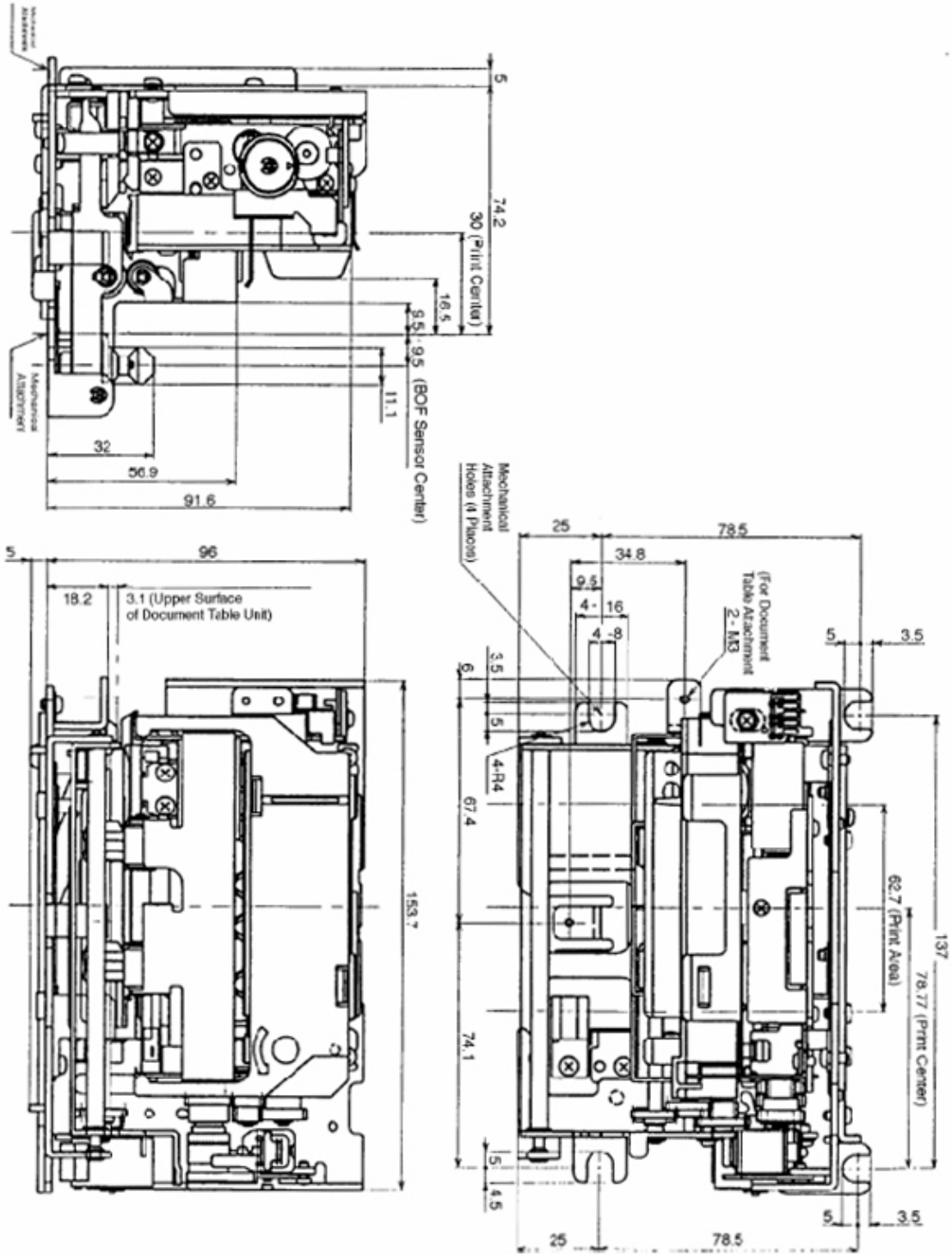
### Specifications

<b>Print Speed</b>	3.1 LPS
<b>Paper Width</b>	80 mm – 182 mm
<b>Paper Length</b>	80 mm – 257 mm
<b>Print Width</b>	63 mm
<b>Resolution</b>	72 dpi
<b>Print Columns</b>	42
<b>Reliability</b>	MCBF 2.5 Million Lines Print Head 70 Million Characters
<b>Multiple Copies</b>	Original + 2 Copies
<b>Operating Voltage</b>	24V $\pm$ 5%
<b>Control Board (Option)</b>	BD290MD-24-A

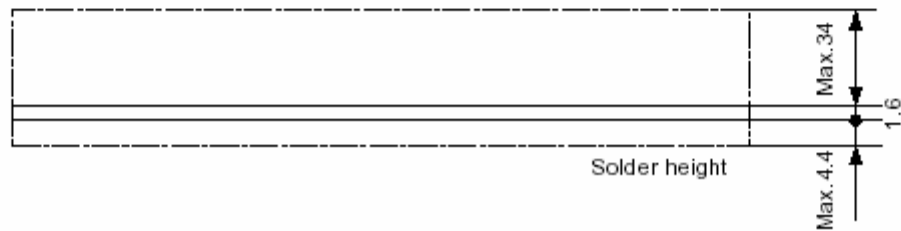
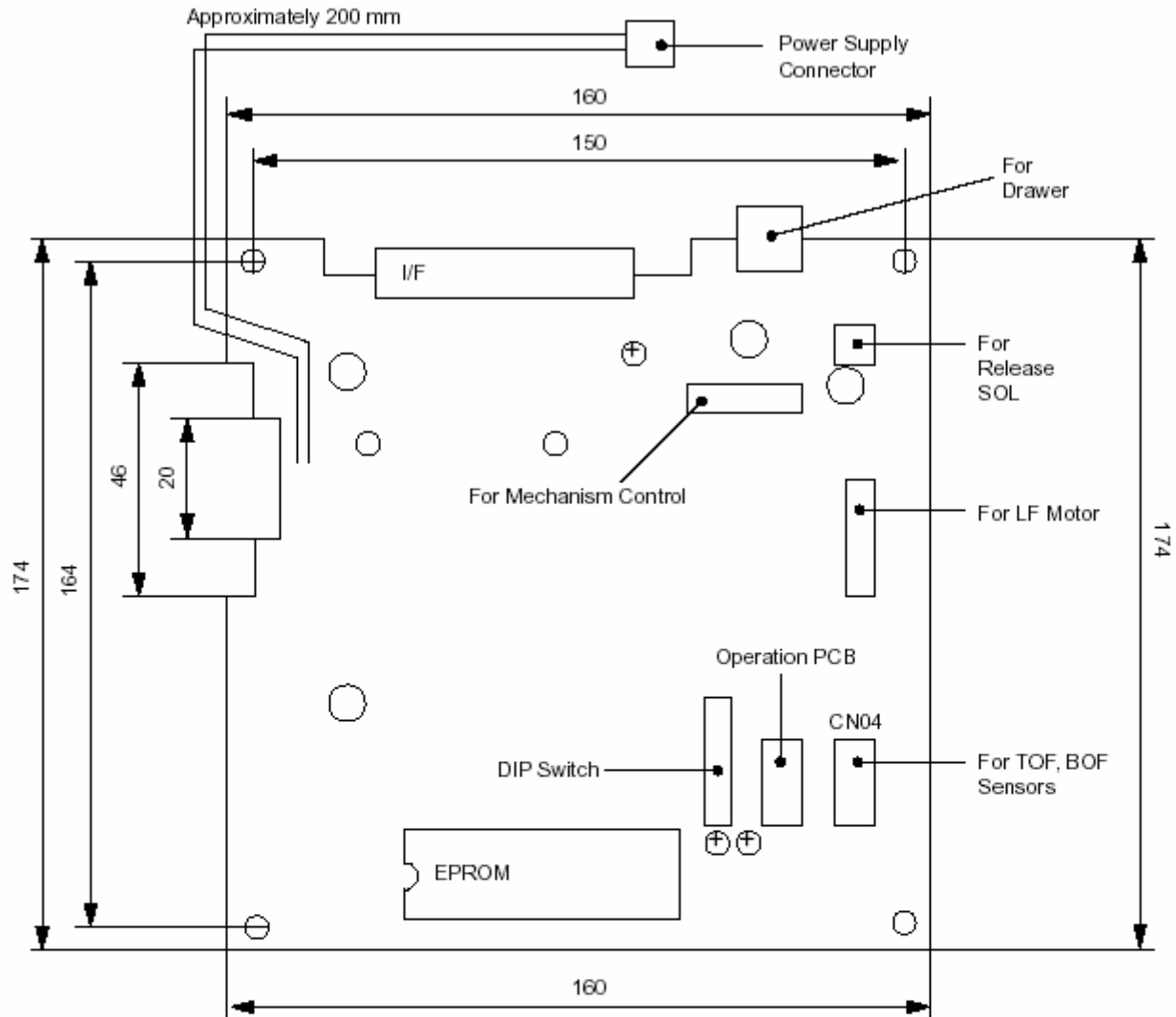
Part Numbers	
Printer Mechanism – MP292-24G-A	39082000
Control Board – BD292MD-24-A	39209130
Print Head– Flat Cable 19X205	30722010
Power Supply – PS60-L-24A	30781440
Control Panel – Board Unit	37307210
Ribbon Cassette – RC200B (Black)	30980112
RC200BR (Black & Red)	30980211
RC200P (Purple)	30980012

# External Dimensions

MP292-24G



# BD290 Dimensional Drawing



Unit : mm